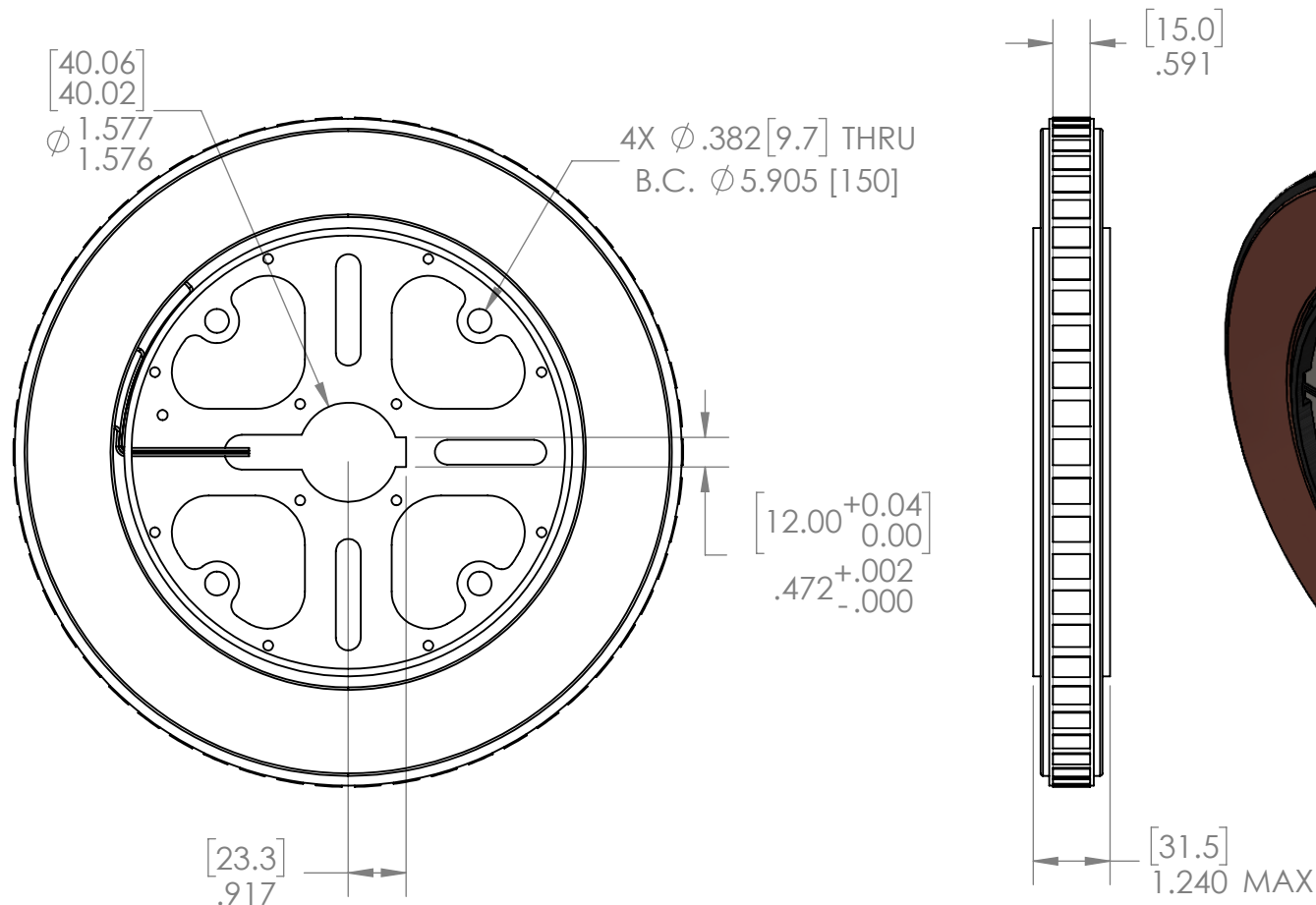


2

1

B

B



A

A

BLACMOTOR

478 N SCOVELL AVE STE D SAN JACINTO CA 92582

TITLE:
PM01-A STATOR

PROPRIETARY AND CONFIDENTIAL

THE INFORMATION CONTAINED IN THIS DRAWING IS THE SOLE PROPERTY OF BLACMOTOR. ANY REPRODUCTION IN PART OR AS A WHOLE WITHOUT THE WRITTEN PERMISSION OF BLACMOTOR IS PROHIBITED.

UNLESS OTHERWISE SPECIFIED:

DIMENSIONS ARE IN INCHES [MILLIMETERS]
TOLERANCES:
FRACTIONAL $\pm 1/16$
ANGULAR: MACH ± 1 BEND ± 1
TWO PLACE DECIMAL $\pm .01$
THREE PLACE DECIMAL $\pm .001$

INTERPRET GEOMETRIC TOLERANCING PER: ASME 14.5Y

MATERIAL / FINISH:
STATOR - LAMINATED STEEL / VARNISH
COIL - COPPER MAGNET WIRE 180C
INSULATION - INJECTION MOLD PLASTIC

COMMENTS:
THREE PHASE RESISTANCE & INDUCTANCE DEVIATION <3%
INSULATION GROUND TEST: 1625VAC, 5S, LEAKAGE <3mA
INTERTURN VOLTAGE TEST: 3000VDC WAVEFORM DEVIATION <5%
DROP VARNISH: JF-310-H3

DO NOT SCALE DRAWING

SIZE DWG. NO. REV
A 030521-1 **A**

SCALE: 1:3 WEIGHT: SHEET 1 OF 1

2

1