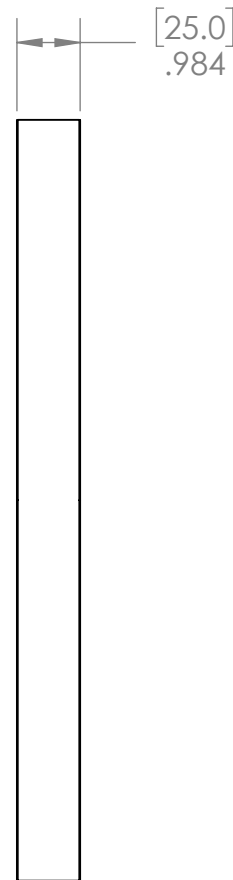
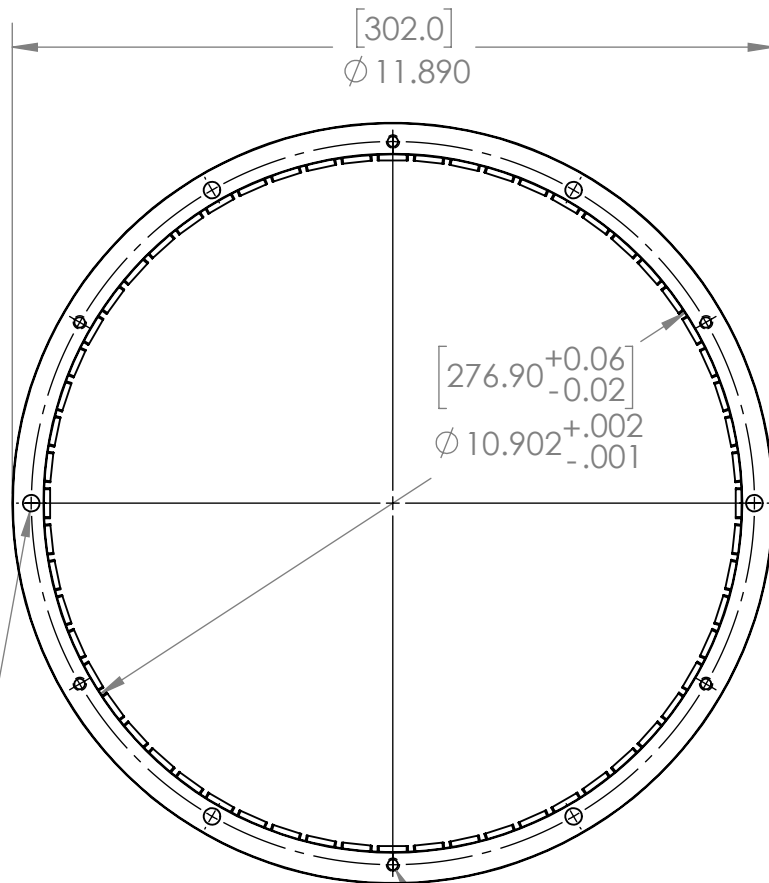


2

1

B

B



A

A

**BLACMOTOR**

478 N SCOVELL AVE STE D SAN JACINTO CA 92582

TITLE:

PM01-A ROTOR

**PROPRIETARY AND CONFIDENTIAL**

THE INFORMATION CONTAINED IN THIS DRAWING IS THE SOLE PROPERTY OF BLACMOTOR. ANY REPRODUCTION IN PART OR AS A WHOLE WITHOUT THE WRITTEN PERMISSION OF BLACMOTOR IS PROHIBITED.

## UNLESS OTHERWISE SPECIFIED:

DIMENSIONS ARE IN INCHES [MILLIMETERS]  
 TOLERANCES:  
 FRACTIONAL  $\pm 1/16$   
 ANGULAR: MACH  $\pm 1$  BEND  $\pm 1$   
 TWO PLACE DECIMAL  $\pm .01$   
 THREE PLACE DECIMAL  $\pm .001$

INTERPRET GEOMETRIC  
 TOLERANCING PER: ASME 14.5Y

MATERIAL / FINISH:  
 ROTOR: STEEL / BLACK PHOSPHATE  
 + BLACK PAINT  
 MAGNETS: NEODYMIUM / ZINC PLATED

COMMENTS:  
 15MM MAGNETS EVENLY DISTRIBUTED X60  
 MAGNET GRADE N46H

DO NOT SCALE DRAWING

SIZE

**A**

DWG. NO.

**030521-2**

REV

**A**

SCALE: 1:3

WEIGHT: 2.05Kg

SHEET 1 OF 1

2

1